

DISCOVER SE3: 19 INCH LCD TREAD CONSOLE

PARTS MANUAL

19DT-XWXXX-XX

GAT, GPT, GDT, GIT, GXT, GST

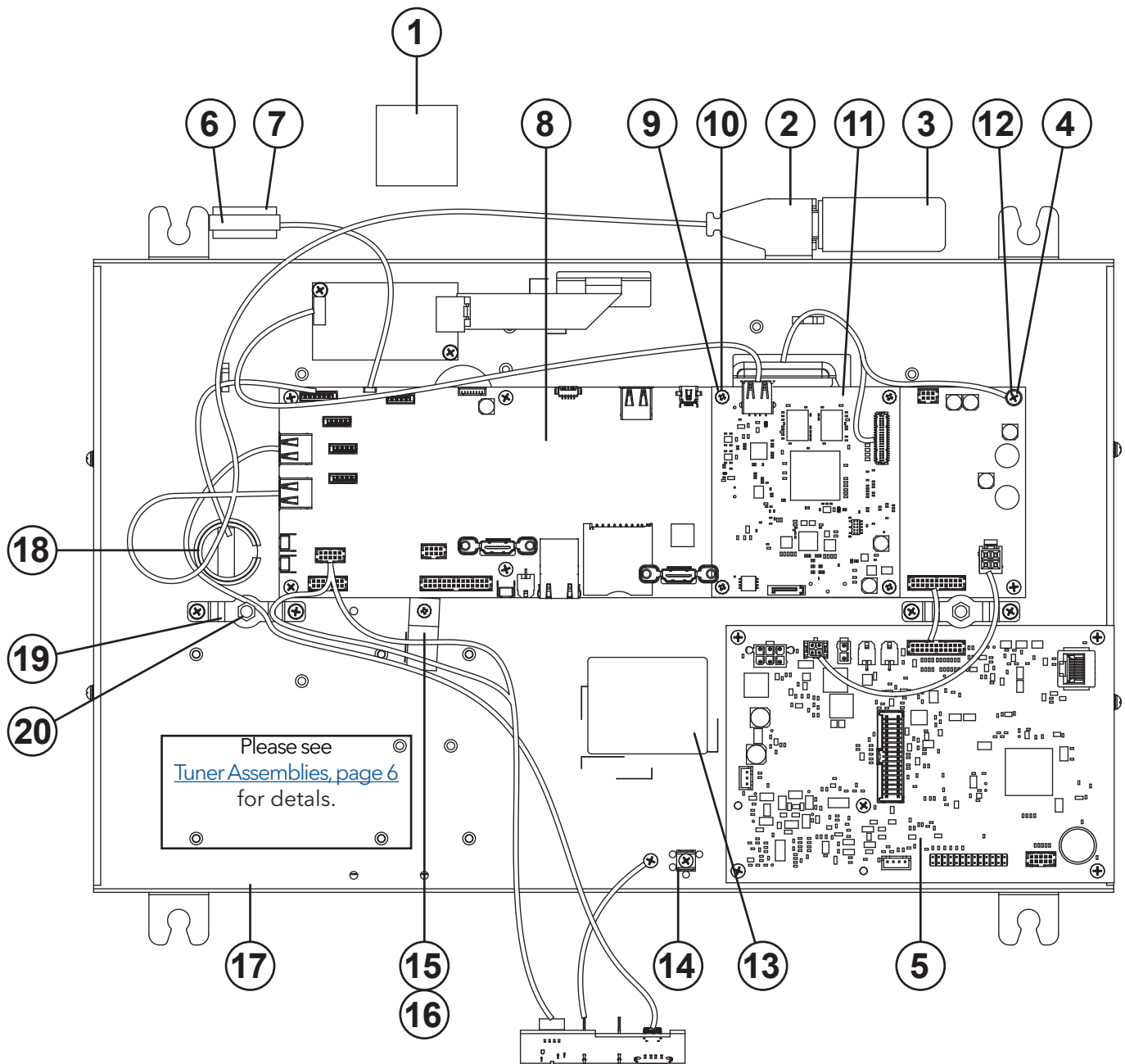


Table of Contents

| | |
|--|-----------|
| Console Serial Number | 1 |
| Main Console Components | 2 |
| Cables | 4 |
| Tuner Assemblies | 6 |
| Plastics and Display Components | 8 |
| Option Panel | 10 |
| Kit Assemblies | 11 |

| Console Serial Number | | | |
|---|-------------------|---|----------------------------|
| ATSC / NTSC TUNER (DOMESTIC) | | | |
| Part No. | Alpha Code | Description | Serial Number Range |
| 19DT-XWXXA-04 | GAT | SE3 19In CONSOLE TREAD WIRELESS ATSC/QAM/NTSC | 100001 - 399999 |
| 19DT-XWRXA-04 | GAT | SE3 19In CONSOLE TREAD WIRELESS RFID ATSC/QAM/NTSC | 100001 - 399999 |
| PROIDIOM TUNER (DOMESTIC) | | | |
| Part No. | Alpha Code | Description | Serial Number Range |
| 19DT-XWXXP-04 | GPT | SE3 19In CONSOLE TREAD PROIDIOM/QAM | 100001 - 399999 |
| 19DT-XWRXP-04 | GPT | SE3 19In CONSOLE TREADRFID PROIDIOM/QAM | 100001 - 399999 |
| DVB-T / DVB-T2 / DVB-C / PAL TUNER (INTERNATIONAL) | | | |
| Part No. | Alpha Code | Description | Serial Number Range |
| 19DT-XWXXD-05 | GDT | SE3 19In CONSOLE TREAD WIRELESS DVBT2/DVBC/PAL/SECAM | 100001 - 399999 |
| 19DT-XWRXD-05 | GDT | SE3 19In CONSOLE TREAD WIRELESS RFID DVBT2/DVBC/PAL/SECAM | 100001 - 399999 |
| STB IPTV HW SOLUTION | | | |
| Part No. | Alpha Code | Description | Serial Number Range |
| 19DT-XWXXI-04 | GIT | SE3 19In CONSOLE TREAD WIRELESS STB SYNC | 100001 - 399999 |
| 19DT-XWRXI-04 | GIT | SE3 19In CONSOLE TREAD WIRELESS RFID STB SYNC | 100001 - 399999 |
| IPTV SW SOLUTION (MULTICAST) | | | |
| Part No. | Alpha Code | Description | Serial Number Range |
| 19DT-XWXXX-04 | GXT | SE3 19In CONSOLE TREAD WIRELESS TUNERLESS | 100001 - 399999 |
| 19DT-XWRXX-04 | GXT | SE3 19In CONSOLE TREAD WIRELESS RFID TUNERLESS | 100001 - 399999 |
| ISDB-T (w/B-CAS) / NTSC TUNER | | | |
| Part No. | Alpha Code | Description | Serial Number Range |
| 19DT-XWXXS-04 | GST | SE3 19In CONSOLE TREAD WIRELESS ISDBT/NTSC | 100001 - 399999 |
| 19DT-XWRXS-04 | GST | SE3 19In CONSOLE TREAD WIRELESS RFID ISDBT/NTSC | 100001 - 399999 |

Main Console Components

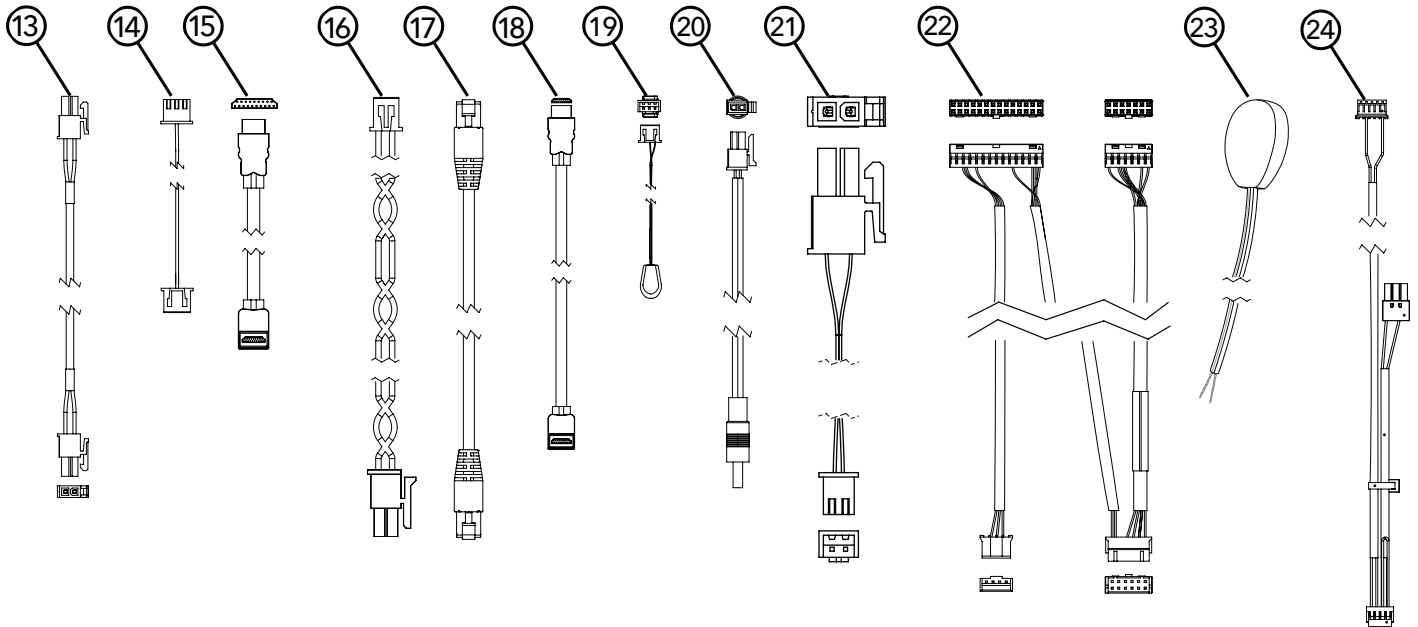
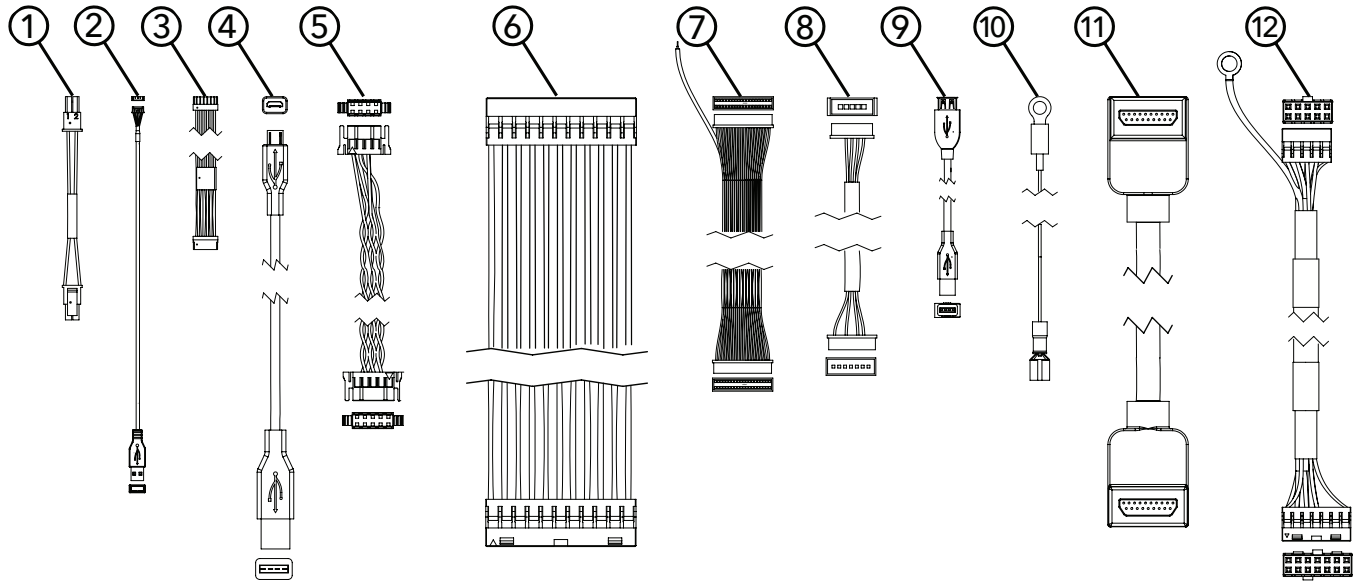


Parts List

| Item | Part Number | Alpha Code | Item Description | Serial Number Range |
|------|------------------------|------------------------------|--|---------------------|
| 1 | 118E-00001-0311 | GAT, GPT, GDT, GIT, GXT, GST | Passive NFC Tag | 100001 - 399999 |
| 2 | 0K92-01222-0000 | GAT, GPT, GDT, GIT, GXT, GST | Wireless Connectivity Bracket | 100001 - 399999 |
| 3 | 1002216-0000 | GAT, GPT, GDT, GIT, GXT, GST | Wireless Connectivity Module | 100001 - 399999 |
| 4 | 0017-00101-2117 | GAT, GPT, GDT, GIT, GXT, GST | Screw: M3 X 6 Phillips Pan Head w/ Washer | 100001 - 399999 |
| 5 | B084-92386-0000 | GAT, GPT, GDT, GIT, GXT, GST | MIB board | 100001 - 399999 |

| Item | Part Number | Alpha Code | Item Description | Serial Number Range |
|------|-----------------|------------------------------|--------------------------------------|---------------------|
| 6 | 118E-00001-0289 | GAT, GPT, GDT, GIT, GXT, GST | Bluetooth Dual Mode 4.0 Module | 100001 - 399999 |
| 7 | 0K39-01044-0001 | GAT, GPT, GDT, GIT, GXT, GST | Double Sided Adhesive | 100001 - 399999 |
| 8 | B084-92388-0001 | GAT, GPT, GDT, GIT, GXT, GST | Carrier board, V7 | 100001 - 399999 |
| 9 | 0017-00009-1335 | GAT, GPT, GDT, GIT, GXT, GST | Spacer, round | 100001 - 399999 |
| 10 | 0017-00101-2016 | GAT, GPT, GDT, GIT, GXT, GST | Screw: M3 X 10 Phillips Pan Head | 100001 - 399999 |
| 11 | A084-92420-0002 | GAT, GPT, GDT, GIT, GXT, GST | Programmed IMX6 Board | 100001 - 399999 |
| 12 | 0K92-01230-0000 | GAT, GPT, GDT, GIT, GXT, GST | Spacer, Plastic | 100001 - 399999 |
| 13 | M051-00518-0000 | GAT, GPT, GDT, GIT, GXT, GST | Serial Number UID Label Chassis | 100001 - 399999 |
| 14 | 0017-00021-3368 | GAT, GPT, GDT, GIT, GXT, GST | Quick Disconnect Terminal | 100001 - 399999 |
| 15 | 121E-00001-0025 | GAT, GPT, GDT, GIT, GXT, GST | Clamp Filter: Ferrite core with case | 100001 - 399999 |
| 16 | 0017-00042-1235 | GAT, GPT, GDT, GIT, GXT, GST | Ferrite Mounting bracket | 100001 - 399999 |
| 17 | 0K92-01218-0000 | GAT, GPT, GDT, GIT, GXT, GST | 18.5" Tread Chassis | 100001 - 399999 |
| 18 | 0017-00100-0263 | GAT, GPT, GDT, GIT, GXT, GST | Rubber O Ring | 100001 - 399999 |
| 19 | 0K92-01067-0000 | GAT, GPT, GDT, GIT, GXT, GST | Hat Bracket: Tread | 100001 - 399999 |
| 20 | 0K92-01068-0000 | GAT, GPT, GDT, GIT, GXT, GST | Standoff: M-F Treaded Hex | 100001 - 399999 |

Cables



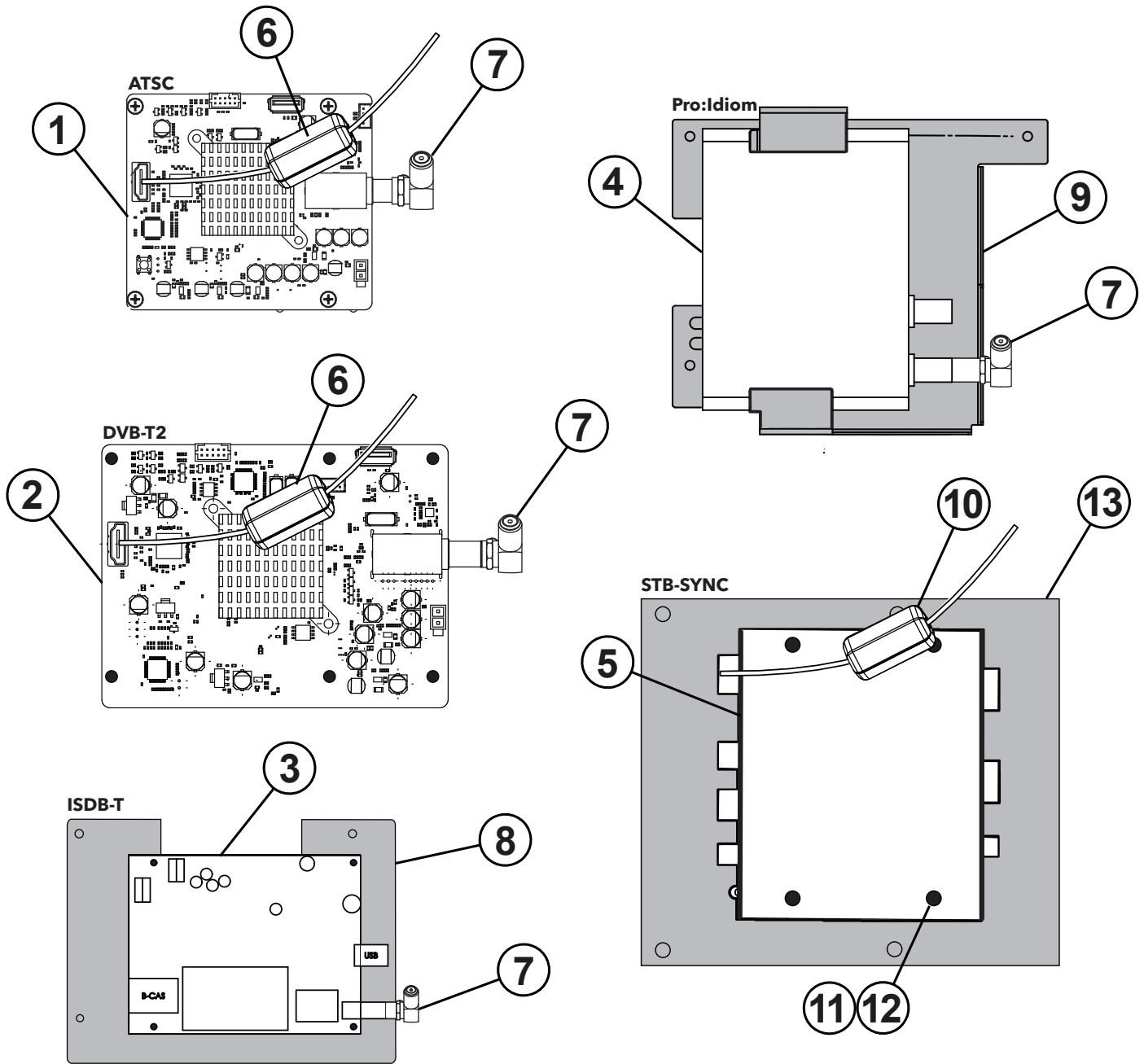
Parts List

| Item | Part Number | Alpha code | Description | Serial Range |
|------|---------------------------------|------------------------------|---|-----------------|
| 1 | AK92-00006-0000 | GAT, GPT, GDT, GIT, GXT, GST | Cable: Carrier 24V to MIB 24V | 100001 - 399999 |
| 2 | AK92-00082-0000 | GAT, GPT, GDT, GIT, GXT, GST | Cable: Touch controller cable (to IMX6) | 100001 - 399999 |
| 3 | AK92-00020-0000 | GAT, GPT, GDT, GIT, GXT, GST | Cable: Carrier USB to Bluetooth | 100001 - 399999 |
| 4 | AK92-00072-0000 | GAT, GPT, GDT, GIT, GXT, GST | Cable: USB Type A to Micro B | 100001 - 399999 |
| 5 | AK92-00015-0001 | GAT, GPT, GDT, GIT, GXT, GST | Cable: Carrier headphone to option panel | 100001 - 399999 |
| 6 | AK92-00027-0000 | GAT, GPT, GDT, GIT, GXT, GST | Cable: Carrier to MIB | 100001 - 399999 |
| 7 | AK92-00005-0000 | GAT, GPT, GDT, GIT, GXT, GST | Cable: COM LVDS to LCD LVDS | 100001 - 399999 |
| 8 | AK92-00003-0000 | GAT, GPT, GDT, GIT, GXT, GST | Cable: Carrier backlight to LCD backlight | 100001 - 399999 |
| 9 | AK92-00073-0002 | GAT, GPT, GDT, GIT, GXT, GST | Cable: USB Type A (M) to Type A (F) | 100001 - 399999 |
| 10 | AK65-00103-0002 | GAT, GPT, GDT, GIT, GXT, GST | Cable: Ground ESD | 100001 - 399999 |

| Item | Part Number | Alpha code | Description | Serial Range |
|------|------------------|------------------------------|---|-----------------|
| 11 | AK92-00263-0000 | GAT, GDT | Cable: Swift Tuner HDMI to HDMI | 100001 - 399999 |
| 12 | AK92-00264-0000 | GAT, GDT | Cable: Swift I2C and Audio | 100001 - 399999 |
| 13 | AK92-00265-0000 | GAT, GDT | Cable: Swift Tuner DC power cable | 100001 - 399999 |
| 14 | AK92-00009-0000 | GIT | Cable: MIB IR to HDMI Ext. Rcvr IR | 100001 - 399999 |
| 15 | AK92-00014-0000 | GIT | Cable: HDMI Ext. Rcvr bd to Carrier bd | 100001 - 399999 |
| 16 | AK92-00018-0000 | GIT | Cable: 5V Carrier to HDMI Ext. Rcvr bd | 100001 - 399999 |
| 17 | AK70-00092-0003 | GIT | Cable: CAT5e HDMI Ext. Rcvr to Carrier | 100001 - 399999 |
| 18 | AK92-00268-0000 | GPT | Cable: HDMI PI STB to Carrier bd | 100001 - 399999 |
| 19 | AK92-00269-0000 | GPT | Cable: MIB IR to PI STB IR | 100001 - 399999 |
| 20 | AK92-00270-0000 | GPT | Cable: 5V Power PI STB | 100001 - 399999 |
| 21 | 1004460-0001 | GST | Cable: 12V Power DCI Tuner | 100001 - 399999 |
| 22 | 1005481-0001 | GST | Cable: DCI Tuner COMM/Audio/Video | 100001 - 399999 |
| 23 | 1003446-0001 | GIT | IR Emitter cable, spare for STB-SYNC TX kit | 100001 - 399999 |
| 24 | AK92-00063-0000* | GAT, GPT, GDT, GIT, GXT, GST | Cable: NFC/RFID Serial COMM (Elatec) | 100001 - 399999 |

*RFID serial cable is to be used with the optional RFID module

Tuner Assemblies

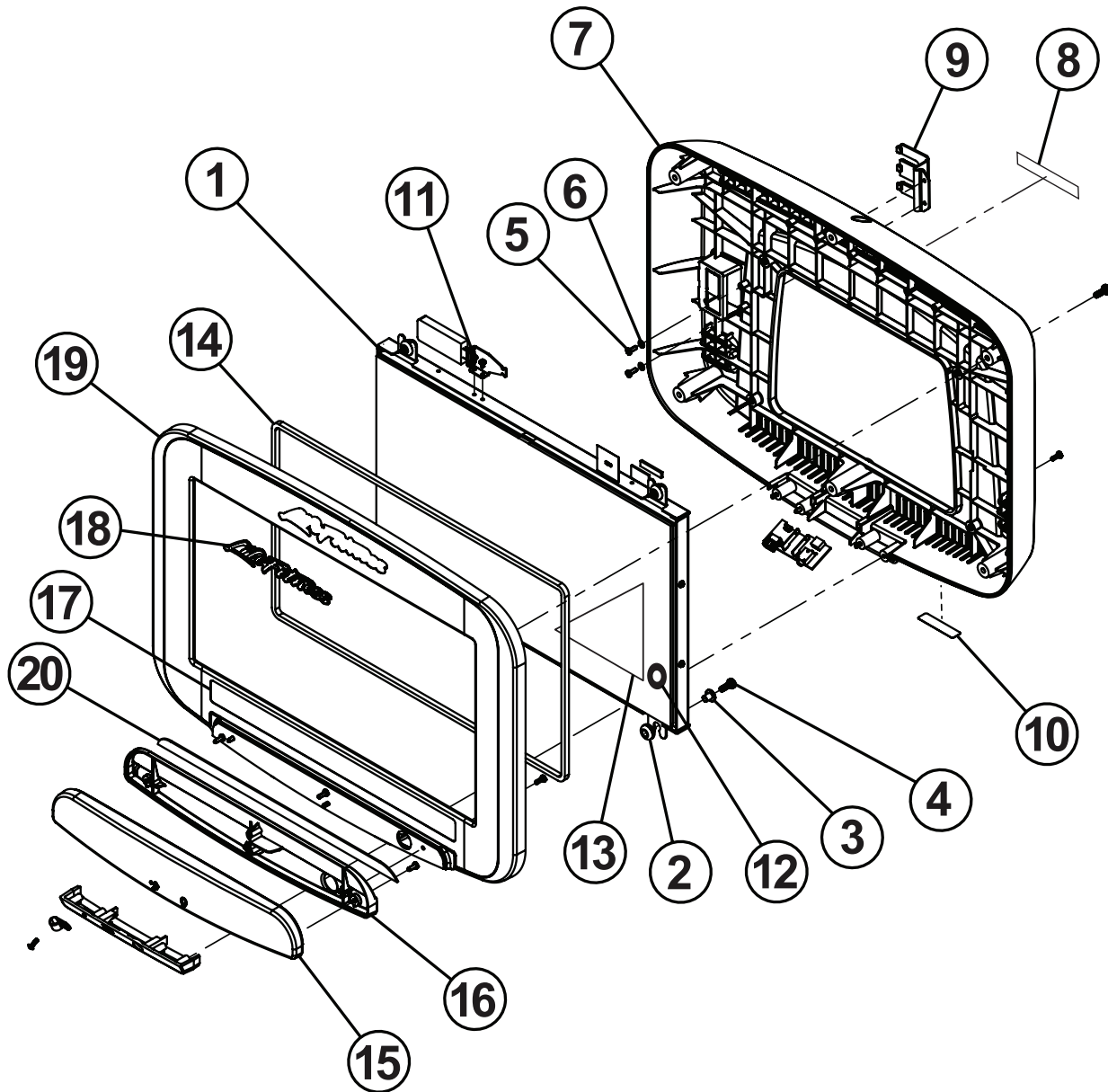


Parts List

| ATSC HDMI Digital Tuner Board W/H.264 | | | | |
|---------------------------------------|---------------------------------|------------|---------------------------------------|---------------------|
| Item | Part Number | Alpha Code | Item Description | Serial Number Range |
| 1 | A084-92516-0001 | GAT | ATSC HDMI Digital Tuner Board W/H.264 | 100001 - 399999 |
| 7 | 1006406-0001 | GAT | Right Angle Coaxial Type-F Adapter | 100001 - 399999 |
| 6 | 1006779-0001 | GAT | Snap On Ferrite | 100001 - 399999 |
| Cables | | | | |
| | Item 12, page 5 | | Cable: Swift Tuner HDMI to HDMI | |
| | Item 13, page 5 | | Cable: Swift I2C and Audio | |
| | Item 14, page 5 | | Cable: Swift Tuner DC power cable | |

| DVB-T2 HDMI Digital Tuner Board | | | | |
|---|---------------------------------|--|---|----------------------------|
| Item | Part Number | Alpha Code | Item Description | Serial Number Range |
| 2 | A084-92517-0000 | GDT | DVB-T2 HDMI Digital Tuner Board | 100001 - 399999 |
| 7 | 1006406-0001 | GDT | Right Angle Coaxial Type-F Adapter | 100001 - 399999 |
| 6 | 1006779-0001 | GDT | Snap On Ferrite | 100001 - 399999 |
| Cables | | | | |
| | Item 12, page 5 | Cable: Swift Tuner HDMI to HDMI | | |
| | Item 13, page 5 | Cable: Swift I2C and Audio | | |
| | Item 14, page 5 | Cable: Swift Tuner DC power cable | | |
| ISDB-T tuner (DCI) | | | | |
| Item | Part Number | Alpha Code | Item Description | Serial Number Range |
| 3 | 1004461-0001 | GST | ISDB-T tuner (DCI) | 100001 - 399999 |
| 7 | 1006406-0001 | GST | Right Angle Coaxial Type-F Adapter | 100001 - 399999 |
| 8 | 1004310-0001 | GST | DCI ISDB Tuner Bracket | 100001 - 399999 |
| Cables | | | | |
| | Item 22, page 5 | Cable: 12V Power DCI Tuner | | |
| | Item 23, page 5 | Cable: DCI Tuner COMM/Audio/Video | | |
| Pro:Idiom STB RF To HDMI | | | | |
| Item | Part Number | Alpha Code | Item Description | Serial Number Range |
| 4 | 118E-00001-0312 | GPT | Pro:Idiom STB RF To HDMI | 100001 - 399999 |
| 7 | 1006406-0001 | GPT | Right Angle Coaxial Type-F Adapter | 100001 - 399999 |
| 9 | 1003138-0001 | GPT | PI STB Bracket | 100001 - 399999 |
| Cables | | | | |
| | Item 19, page 5 | Cable: HDMI PI STB to Carrier bd | | |
| | Item 20, page 5 | Cable: MIB IR to PI STB IR | | |
| | Item 21, page 5 | Cable: 5V Power PI STB | | |
| STB-SYNC Receiver Board (Atlona) | | | | |
| Item | Part Number | Alpha Code | Item Description | Serial Number Range |
| 5 | 118E-00001-0300 | GIT | STB-SYNC Receiver Board (Atlona) | 100001 - 399999 |
| 13 | 0K92-01085-0000 | GIT | STB-SYNC Receiver Board Chassis Mounting Plate | 100001 - 399999 |
| 10 | 0017-00021-3386 | GIT | Snap On Ferrite | 100001 - 399999 |
| 11 | 0017-00009-1343 | GIT | Female Threaded hex standoff | 100001 - 399999 |
| 12 | 0017-00009-1342 | GIT | Male-Female Threaded hex standoff | 100001 - 399999 |
| Cables | | | | |
| | Item 15, page 5 | Cable: MIB IR to HDMI Ext. Rcvr IR | | |
| | Item 16, page 5 | Cable: HDMI Ext. Rcvr bd to Carrier bd | | |
| | Item 17, page 5 | Cable: 5V Carrier to HDMI Ext. Rcvr bd | | |
| | Item 18, page 5 | Cable: CAT5e HDMI Ext. Rcvr to Carrier | | |

Plastics and Display Components

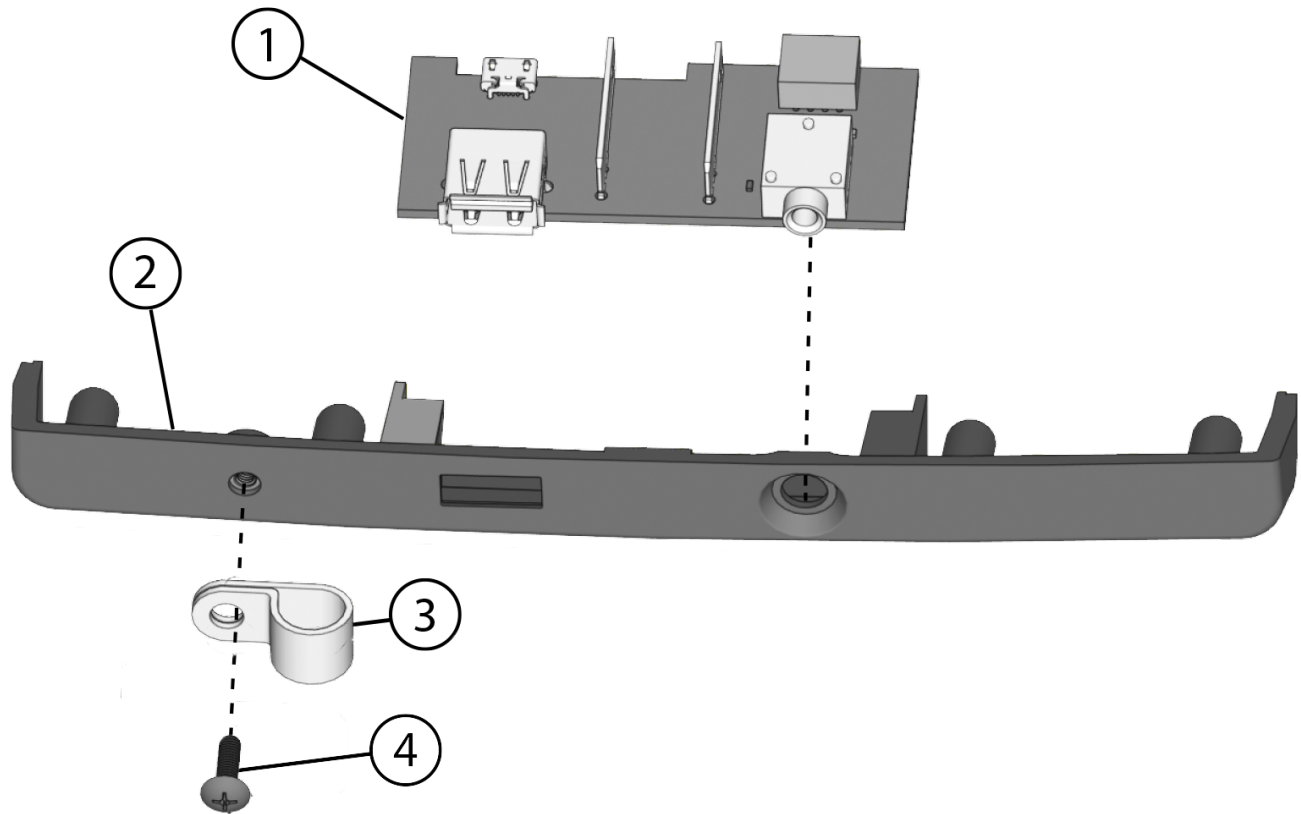


Parts List

| Item | Part Number | Alpha Code | Item Description | Serial Number Range |
|------|-----------------|------------------------------|--|---------------------|
| 1 | AK92-00037-0000 | GAT, GPT, GDT, GIT, GXT, GST | KIT: 18.5" LCD Panel & Touch Screen Assembly | 100001 - 399999 |
| 2 | 0017-00042-1160 | GAT, GPT, GDT, GIT, GXT, GST | Grommet, Vibration | 100001 - 399999 |
| 3 | OK58-01381-0000 | GAT, GPT, GDT, GIT, GXT, GST | Bushing, Shoulder | 100001 - 399999 |
| 4 | 0017-00101-1972 | GAT, GPT, GDT, GIT, GXT, GST | Screw: M5 X 14 Phillips Pan Head | 100001 - 399999 |
| 5 | 0017-00101-1650 | GAT, GPT, GDT, GIT, GXT, GST | Screw: VMI 6-19 X 6 Phillips Pan Head | 100001 - 399999 |
| 6 | 0017-00104-0456 | GAT, GPT, GDT, GIT, GXT, GST | Washer CSAFE Door | 100001 - 399999 |
| 7 | OK92-01010-2400 | GAT, GPT, GDT, GIT, GXT, GST | Rear Plastic Bezel Tread | 100001 - 399999 |
| 8 | 1002662-0001 | GAT, GPT, GDT, GIT, GXT, GST | COO-ARABIC Label | 100001 - 399999 |
| 9 | OK99-01001-2400 | GAT, GPT, GDT, GIT, GXT, GST | CSAFE Access Door | 100001 - 399999 |
| 10 | M051-00519-0000 | GAT, GPT, GDT, GIT, GXT, GST | Serial Number Label Small Rear Bezel | 100001 - 399999 |
| 11 | 0017-00101-1971 | GAT, GPT, GDT, GIT, GXT, GST | Screw: M3 X 6 Phillips Pan Head | 100001 - 399999 |

| Item | Part Number | Alpha Code | Item Description | Serial Number Range |
|------|-----------------|------------------------------|--|---------------------|
| 12 | 0017-00042-1231 | GAT, GPT, GDT, GIT, GXT, GST | Grommet, Vibration | 100001 - 399999 |
| 13 | 0K88-01005-0000 | GAT, GPT, GIT, GXT | Art: Label: Energy guide | 100001 - 399999 |
| 14 | OK92-01016-0000 | GAT, GPT, GDT, GIT, GXT, GST | 18.5" LCD Gasket | 100001 - 399999 |
| 15 | OK92-01205-2400 | GAT, GPT, GDT, GIT, GXT, GST | Reading Rack Front Tread | 100001 - 399999 |
| 16 | OK92-01206-2400 | GAT, GPT, GDT, GIT, GXT, GST | Reading Rack Rear Tread | 100001 - 399999 |
| 17 | 0K92-01233-0000 | GAT, GPT, GDT, GIT, GXT, GST | Label: Warning Tread | 100001 - 399999 |
| 18 | OK92-01025-0000 | GAT, GPT, GDT, GIT, GXT, GST | Life Fitness Decal Console Front | 100001 - 399999 |
| 19 | OK92-01003-2400 | GAT, GPT, GDT, GIT, GXT, GST | Front Plastic Bezel Tread | 100001 - 399999 |
| 20 | 0K92-01021-0700 | GAT, GPT, GDT, GIT, GXT, GST | Rubber Insert: Reading Rack Ledge Tread Black | 100001 - 399999 |

Option Panel



Parts List

| Item | Part No. | Alpha Code | Description | Serial Number Range |
|------|-----------------|------------------------------|----------------------------------|---------------------|
| 1 | B084-92391-0004 | GAT, GPT, GDT, GIT, GXT, GST | PCB-ASSY: USB/HEADPHONE ASSEMBLY | 100001 - 399999 |
| 2 | 0K92-01201-2400 | GAT, GPT, GDT, GIT, GXT, GST | PLASTIC: D2 OPTIONS PANE | 100001 - 399999 |
| 3 | 0K92-01229-0000 | GAT, GPT, GDT, GIT, GXT, GST | CLIP: D2 CABLE CLAMP | 100001 - 399999 |
| 4 | 0017-00101-2100 | GAT, GPT, GDT, GIT, GXT, GST | M3 X .5 X 10 PHL PAN MS ST BZ | 100001 - 399999 |

Kit Assemblies

| Part No. | Alpha Code | Description | Serial Number Range |
|-----------------|------------------------------|---|---------------------|
| GK92-00002-0015 | GAT, GPT, GDT, GIT, GXT, GST | Kit: Option Panel Charcoal Gray | 100001 - 399999 |
| GK92-00002-0012 | GAT, GPT, GDT, GIT, GXT, GST | Kit: RFID Reading Rack, Tread, Charcoal Gray | 100001 - 399999 |
| GK92-00037-0000 | GAT, GPT, GDT, GIT, GXT, GST | Kit: 19" Touchscreen + LCD + Touch Controller Board | 100001 - 399999 |
| AK92-00267-0000 | GAT, GPT, GDT, GIT, GXT, GST | Kit: Discover RFID Installation | 100001 - 399999 |
| GK92-00002-0006 | GAT, GPT, GDT, GIT, GXT, GST | Kit: Bezel + Decal Tread Charcoal Gray | 100001 - 399999 |
| IPTV-TXKIT-02 | GIT | Kit: Discover STB-SYNC Transmitter | 100001 - 399999 |
| GK92-00002-0002 | GAT, GPT, GDT, GIT, GXT, GST | Kit: Wireless Connectivity Retrofit | 100001 - 399999 |
| GK92-00002-0003 | GAT, GPT, GDT, GIT, GXT, GST | Kit: RFID Retrofit | 100001 - 399999 |